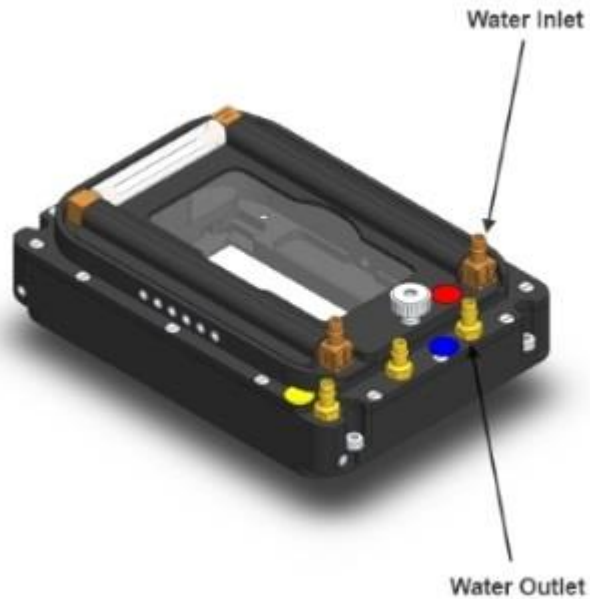


H101-PI-P-736-ZR1S/ZR2S

Stage compatibility: fits in Physik Instrumente P-736-ZR1S/ZR2S

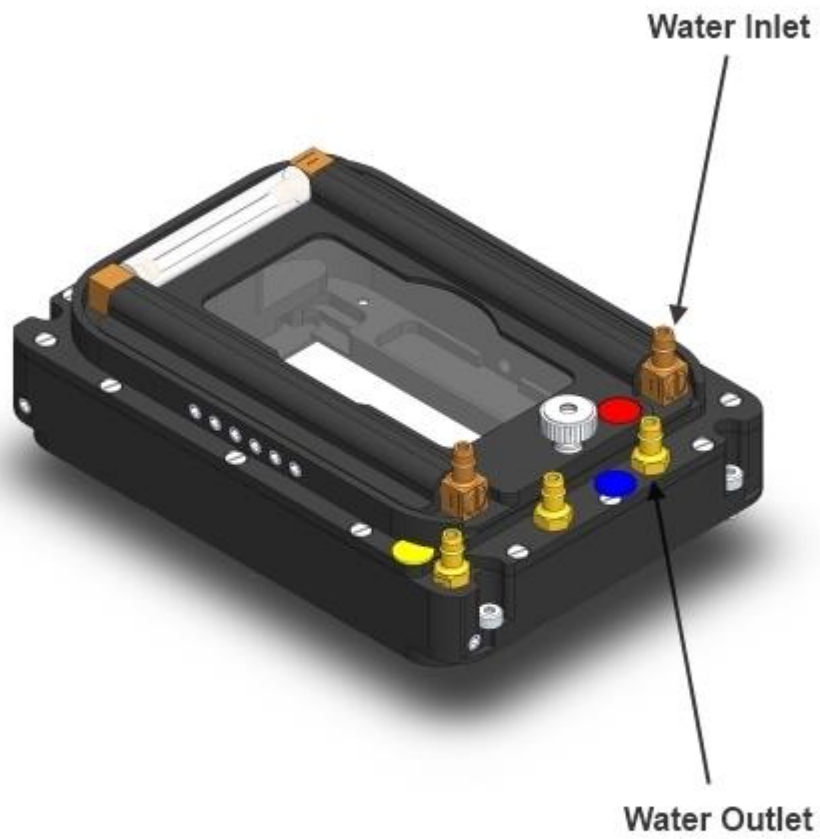
Features:

- Chamber uniformly heated by means water circulation in water tight channels present in the main body and in the lid
- Perfusion holes: 12 channels for 2.5mm O.D. tubings are available in chamber riser



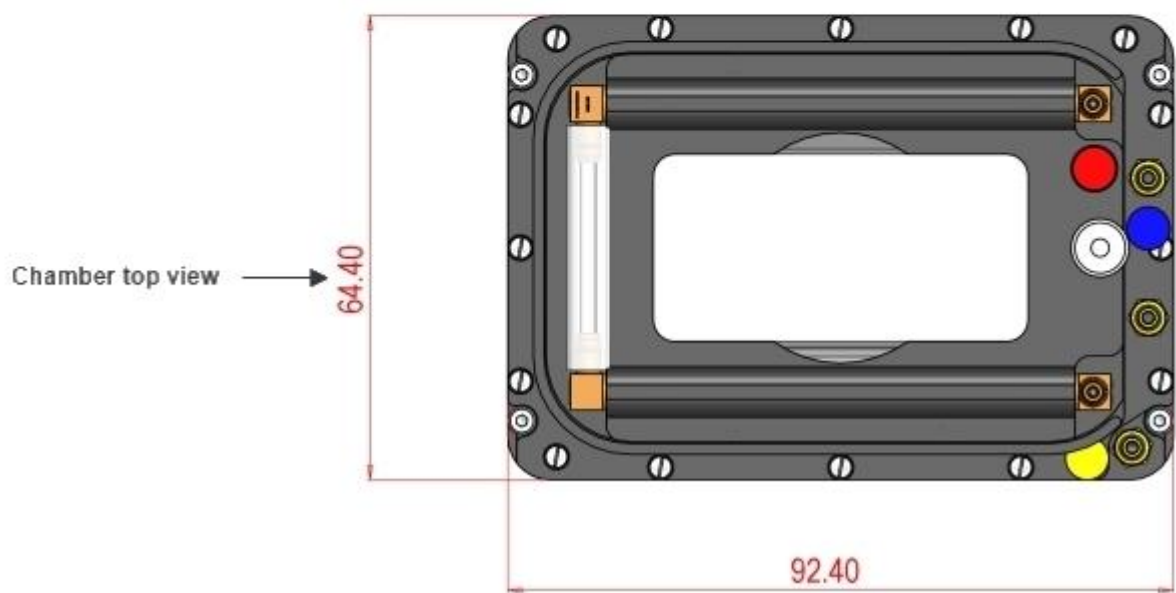
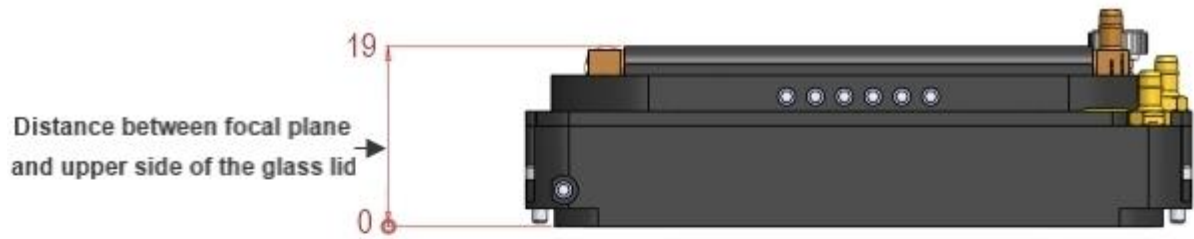
AVAILABLE INSERTS

H101-1x35-PI-736	#1 35mm Petri-dish
H101-1xGS-PI-736	#1 1x3in. chamber slide
H101-1xLABTEK-PI-736	#1 Lab-Tek 1x2 in. chambered cover glass
H101-1xLABTEK-II-PI-736	#1 Lab-Tek II 1x2 in. chambered cover glass

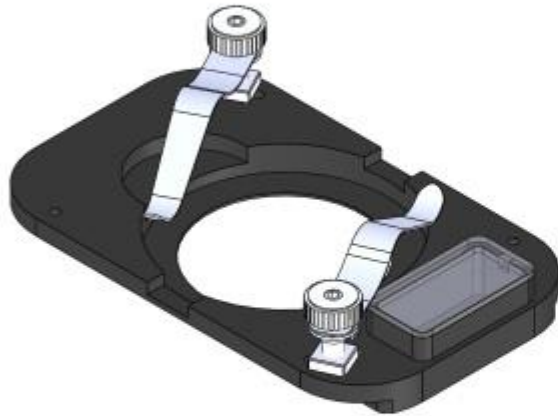


H101-PI-736-ZR1S/ZR2S

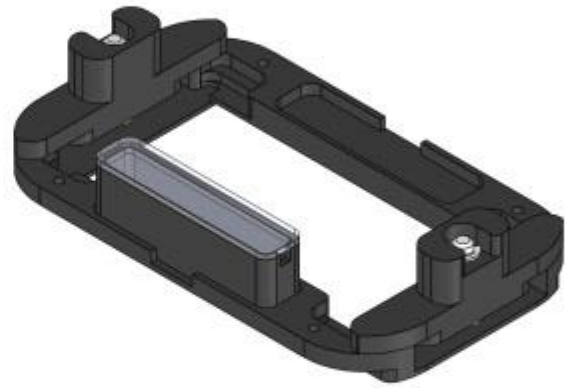
H101-PI-736-ZR1S-ZR2S - 3D View



H101-PI-736-ZR1S-ZR2S - Dimensions



H101-1x35-PRIOR-NZ100
For #1 35mm Petri-dish



H101-1xGS-PRIOR-NZ100
For #1 1"x3" chamber slide

H101-PI-736-ZR1S-ZR2S - Magnetic Inserts